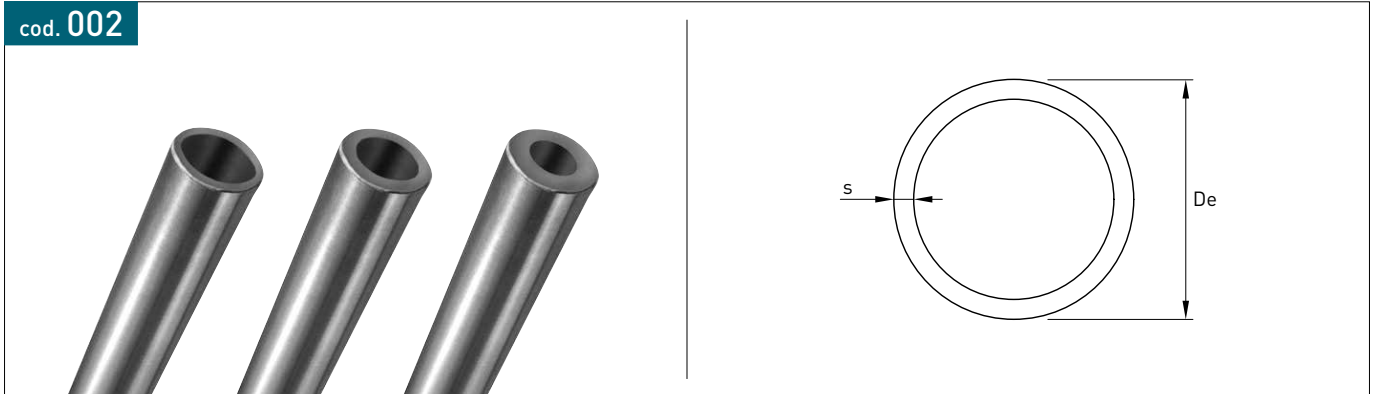


Tubo tondo senza saldatura

Norme: ASME B36.19 – ASTM A312

Materiale: Aisi 304L EN 1.4307 - Aisi 316L EN 1.4304

cod. 002



De x Spessore (s) mm	Dimensioni	Stock	Peso kg/m
21,34 x 2,11	1/2" SCH 10S	R	1,02
21,34 x 2,77	1/2" SCH 40S	R	1,29
21,34 x 3,73	1/2" SCH 80S	R	1,64
26,67 x 2,11	3/4" SCH 10S	R	1,30
26,67 x 2,87	3/4" SCH 40S	R	1,71
26,67 x 3,91	3/4" SCH 80S	R	2,23
33,40 x 2,77	1" SCH 10S	R	2,12
33,40 x 3,38	1" SCH 40S	R	2,54
33,40 x 4,55	1" SCH 80S	R	3,29
42,16 x 2,77	1.1/4" SCH 10S	R	2,73
42,16 x 3,56	1.1/4" SCH 40S	R	3,44
42,16 x 4,85	1.1/4" SCH 80S	R	4,53
48,26 x 2,77	1.1/2" SCH 10S	R	3,16
48,26 x 3,68	1.1/2" SCH 40S	R	4,11
48,26 x 5,08	1.1/2" SCH 80S	R	5,50
60,33 x 2,77	2" SCH 10S	R	3,99
60,33 x 3,91	2" SCH 40S	R	5,52
60,33 x 5,54	2" SCH 80S	R	7,60
73,03 x 3,05	2.1/2" SCH 10S	R	5,34
73,03 x 5,16	2.1/2" SCH 40S	R	8,77
73,03 x 7,01	2.1/2" SCH 80S	R	11,59
88,90 x 3,05	3" SCH 10S	R	6,56
88,90 x 5,49	3" SCH 40S	R	11,47
88,90 x 7,62	3" SCH 80S	R	15,51
114,30 x 3,05	4" SCH 10S	R	8,50
114,30 x 6,02	4" SCH 40S	R	16,32
114,30 x 8,56	4" SCH 80S	R	22,66
141,30 x 3,40	5" SCH 10S	R	11,74
141,30 x 6,55	5" SCH 40S	R	22,10
141,30 x 9,53	5" SCH 80S	R	31,41
168,28 x 3,40	6" SCH 10S	R	14,04
168,28 x 7,11	6" SCH 40S	R	28,70
168,28 x 10,97	6" SCH 80S	R	43,22
219,08 x 3,76	8" SCH 10S	R	20,27
219,08 x 8,18	8" SCH 40S	R	43,20
219,08 x 12,70	8" SCH 80S	R	65,64