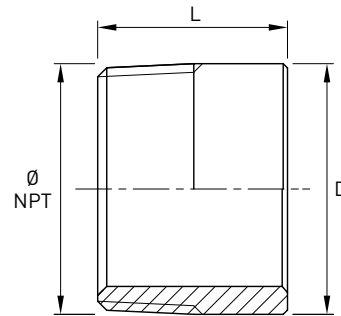


# Tronchetto NPT

Norme: ASME B1.20.1 NPT

Materiale: Aisi 316L EN 1.4404

cod. 397



DN	Ø NPT inch	D mm	L mm	Stock
10	3/8"	17,15	38	R
15	1/2"	21,34	48	R
20	3/4"	26,7	51	R
25	1"	33,4	60	R
32	1 1/4"	42,16	67	R
40	1 1/2"	48,26	79	R
50	2"	60,3	86	R
65	2 1/2"	73,03	92	R
80	3"	88,9	108	R
100	4"	114,3	121	R

Note: ricavati da tubo senza saldatura SCH80S