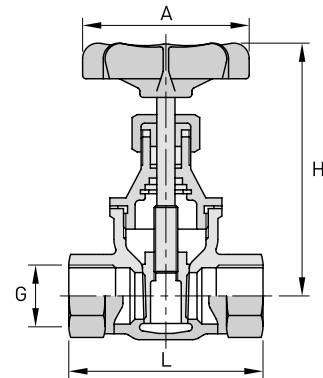


Valvola saracinesca inox

Norme: ISO 228/1 GAS Cilindrico
Materiale: Aisi 316 EN 1.4401

cod. 444



DN	G inch	L mm	H mm	A mm	Stock
10	3/8"	57	100	60	R
15	1/2"	57	100	62	D
20	3/4"	61	100	62	D
25	1"	69	123	75	D
32	1 1/4"	78,5	135	75	D
40	1 1/2"	81,5	150	95	D
50	2"	94,5	170	95	D