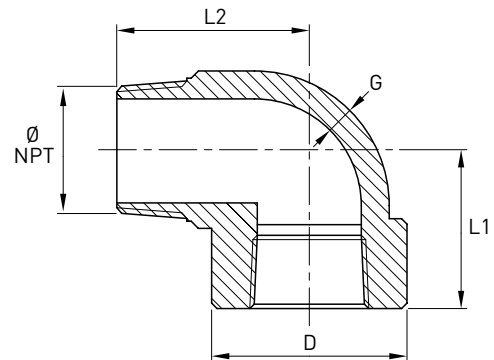


Gomito M/F serie 3000 NPT (90° elbow M/F)

Norme: ANSI B16.11 - ASME B1.20.1

Materiale: Aisi 316L EN 1.4404

cod. 475



DN	Ø NPT inch	D mm	L1 mm	L2 mm	G mm	Stock
15	1/2"	38	33	41	4,0	R
20	3/4"	46	38	48	4,5	R
25	1"	56	44	57	5,0	R
32	1 1/4"	62	51	66	5,5	R
40	1 1/2"	75	60	71	5,5	R