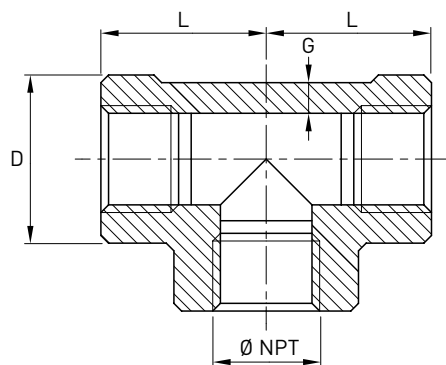


Tee serie 3000 NPT

Norme: ANSI B16.11 - ASME B1.20.1

Materiale: Aisi 316L EN 1.4404

cod. 476



DN	Ø NPT inch	D mm	L mm	G mm	Stock
15	1/2"	38	33	4,0	R
20	3/4"	46	38	4,5	R
25	1"	56	44	5,0	R
32	1 1/4"	62	51	5,5	R
40	1 1/2"	75	60	5,5	R
50	2"	84	64	7,0	R