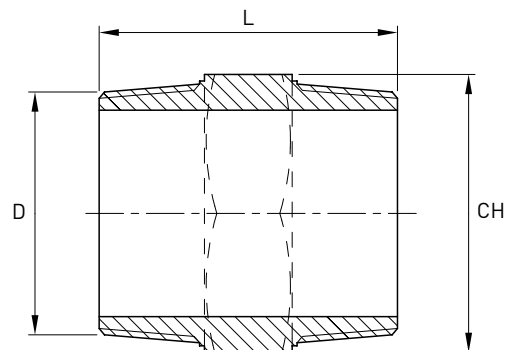


Niplo esagonale serie 3000 NPT (hexagonal nipple)

Norme: ANSI B16.11 - ASME B1.20.1

Materiale: Aisi 316L EN 1.4404

cod. 479



DN	Ø NPT inch	D mm	L mm	CH mm	Stock
15	1/2"	12	48	22	R
20	3/4"	16	52	27	R
25	1"	21	60	35	R
32	1 1/4"	30	63	45	R
40	1 1/2"	34	68	51	R
50	2"	42	71	64	R